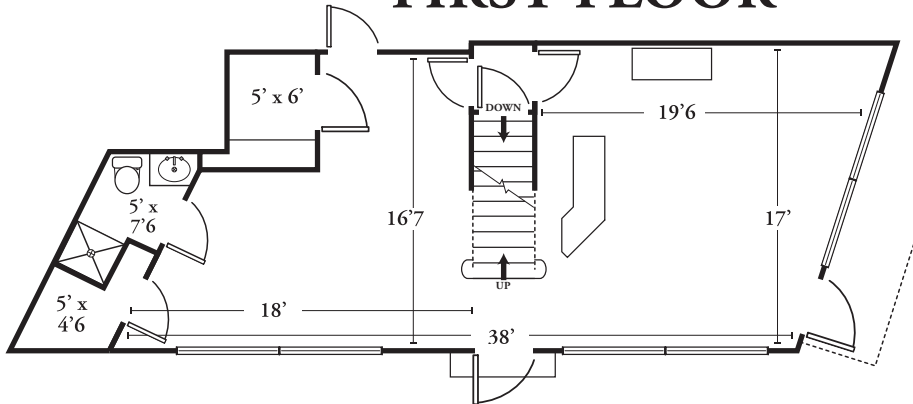
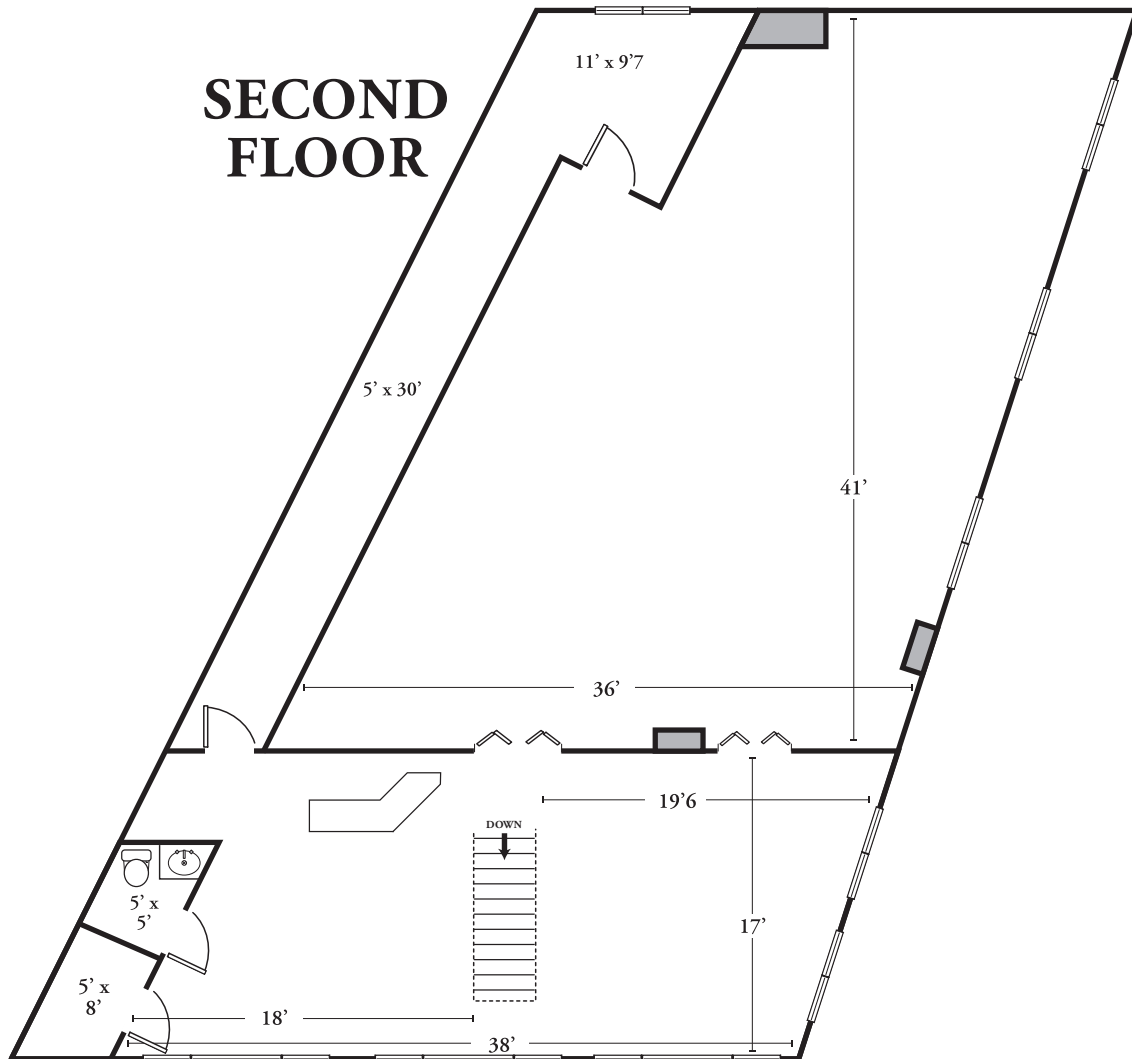


# 205 LEXINGTON STREET, WALTHAM

## FIRST FLOOR



## SECOND FLOOR

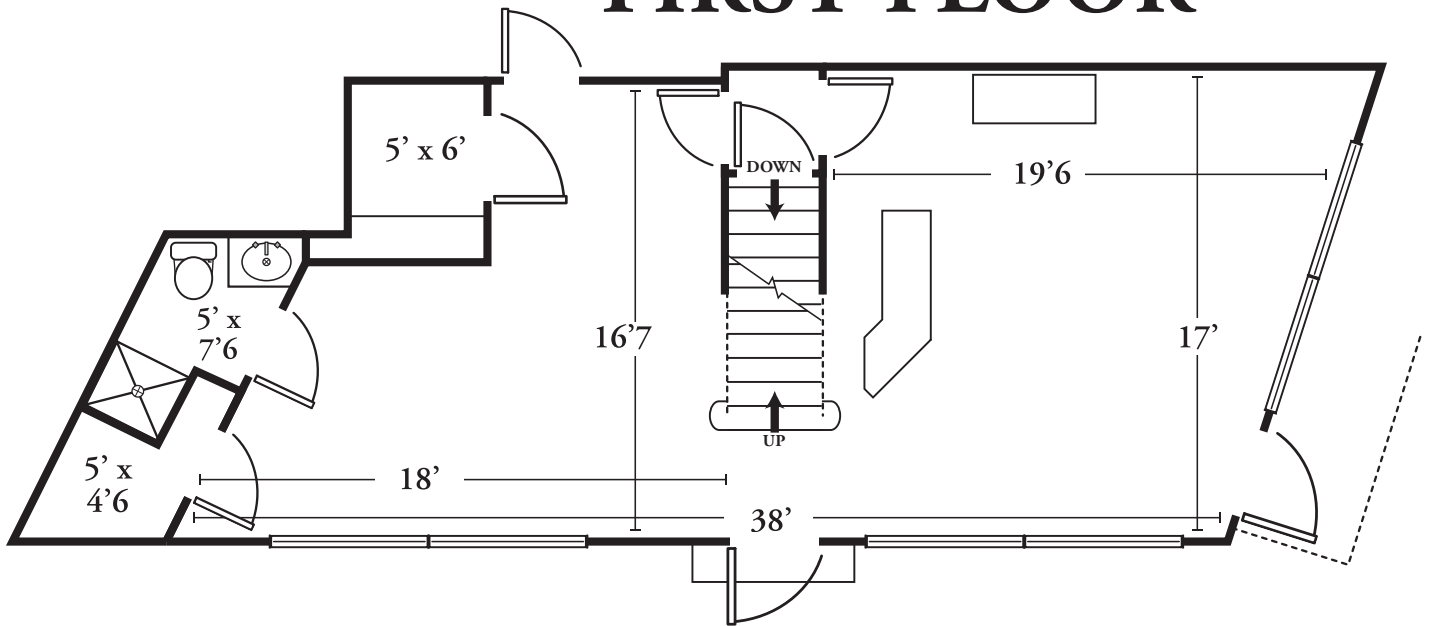


© 2019

David Ward | [thecreativeward.com](http://thecreativeward.com) | 617-828-3171  
These plans are for marketing purposes only and to provide general information.  
Floor plans and dimensions are approximate.

# 205 LEXINGTON STREET, WALTHAM

## FIRST FLOOR

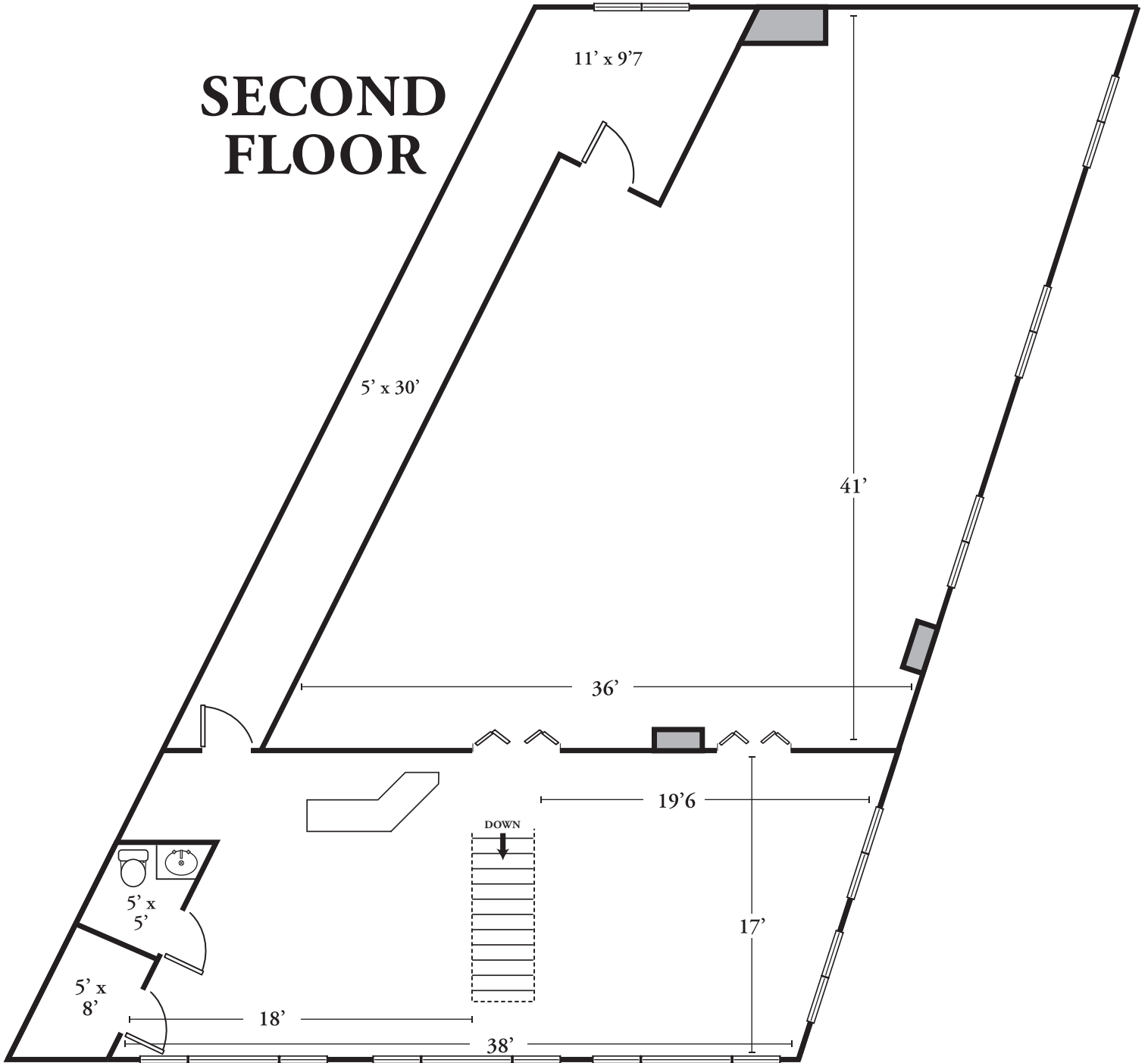


© 2019

David Ward | [thecreativeward.com](http://thecreativeward.com) | 617-828-3171  
These plans are for marketing purposes only and to provide general information.  
Floor plans and dimensions are approximate.

# 205 LEXINGTON STREET, WALTHAM

## SECOND FLOOR



© 2019

David Ward | [thecreativeward.com](http://thecreativeward.com) | 617-828-3171  
These plans are for marketing purposes only and to provide general information.  
Floor plans and dimensions are approximate.